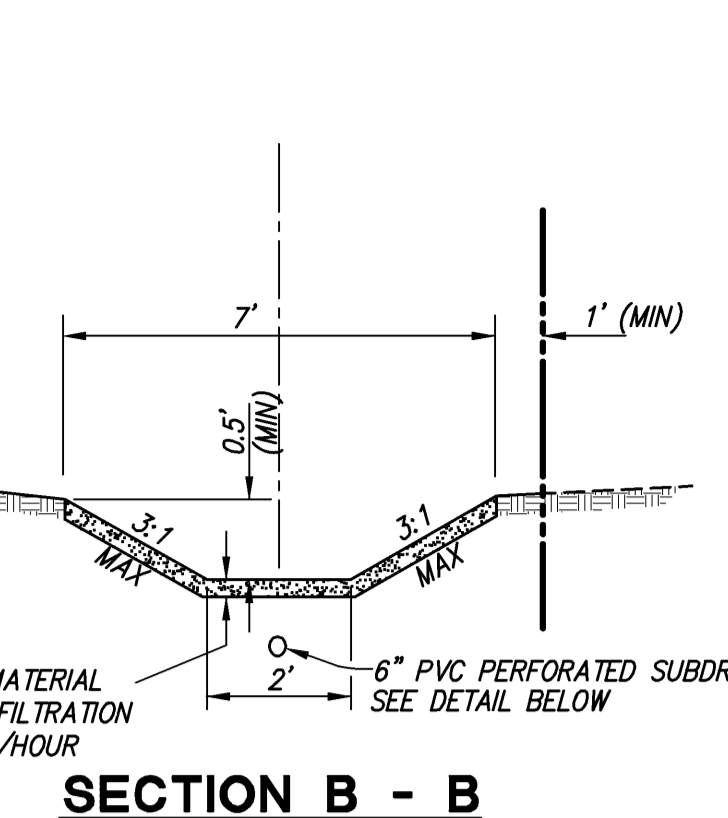
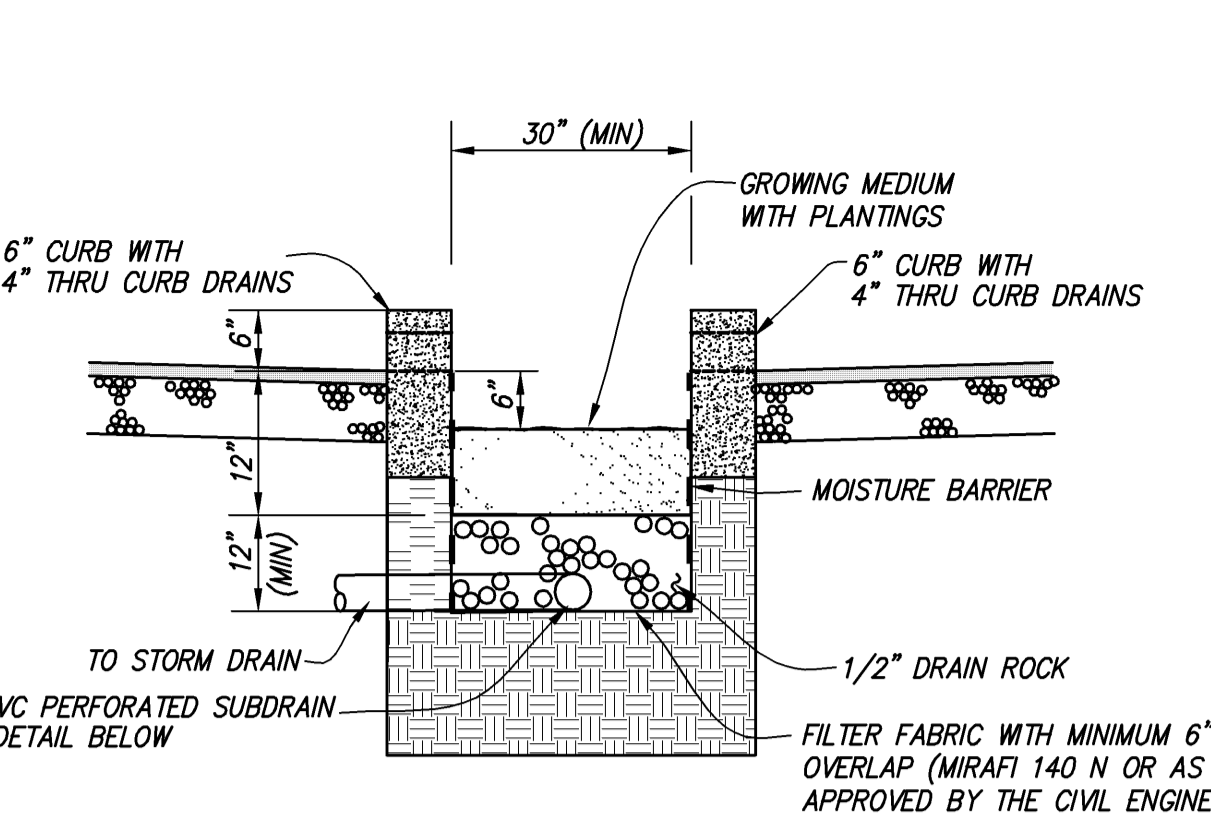


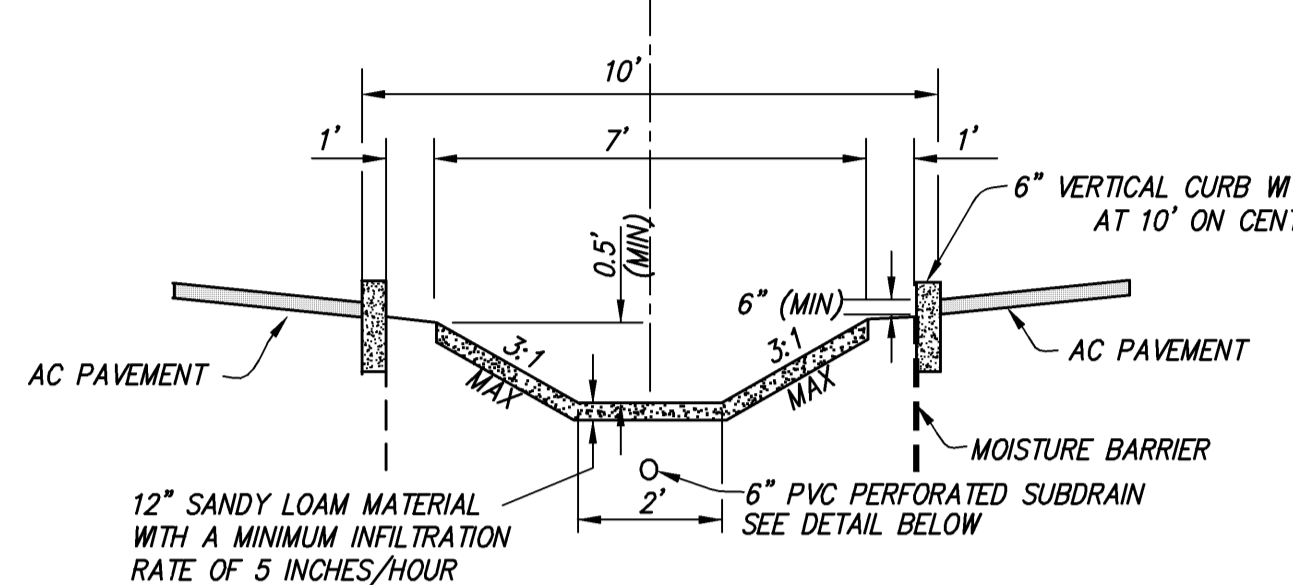
SECTION A - A
NOT TO SCALE



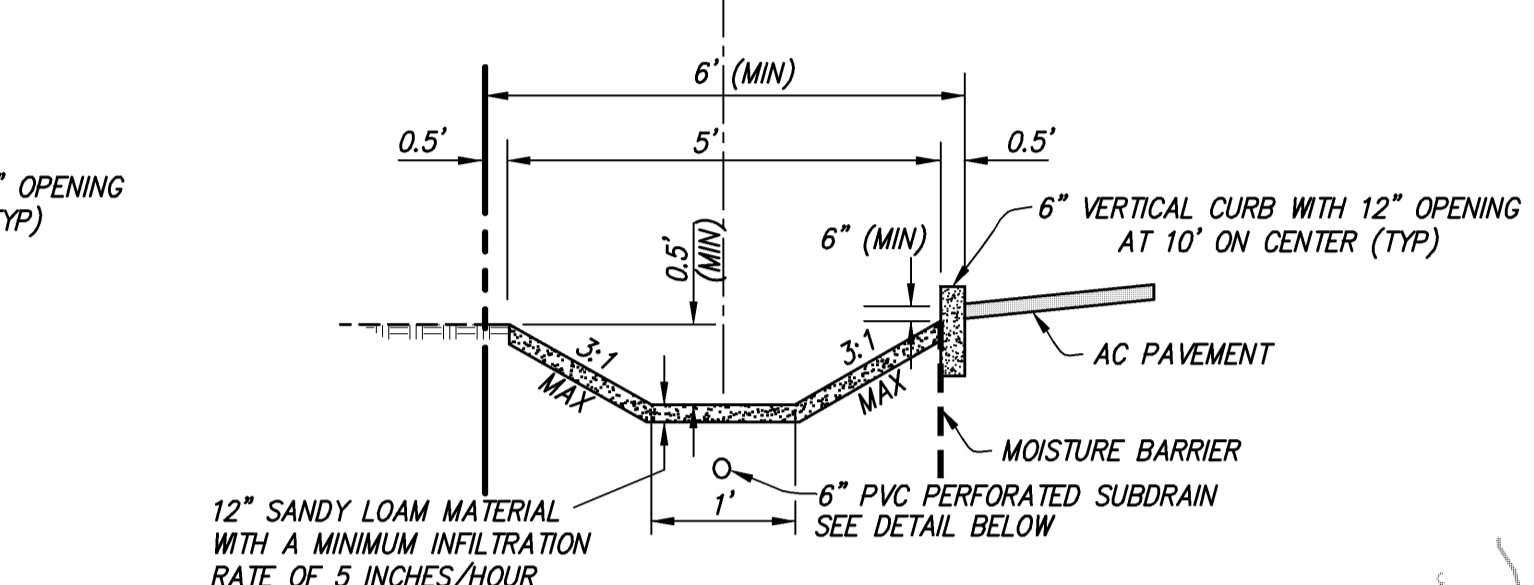
SECTION B - B
NOT TO SCALE



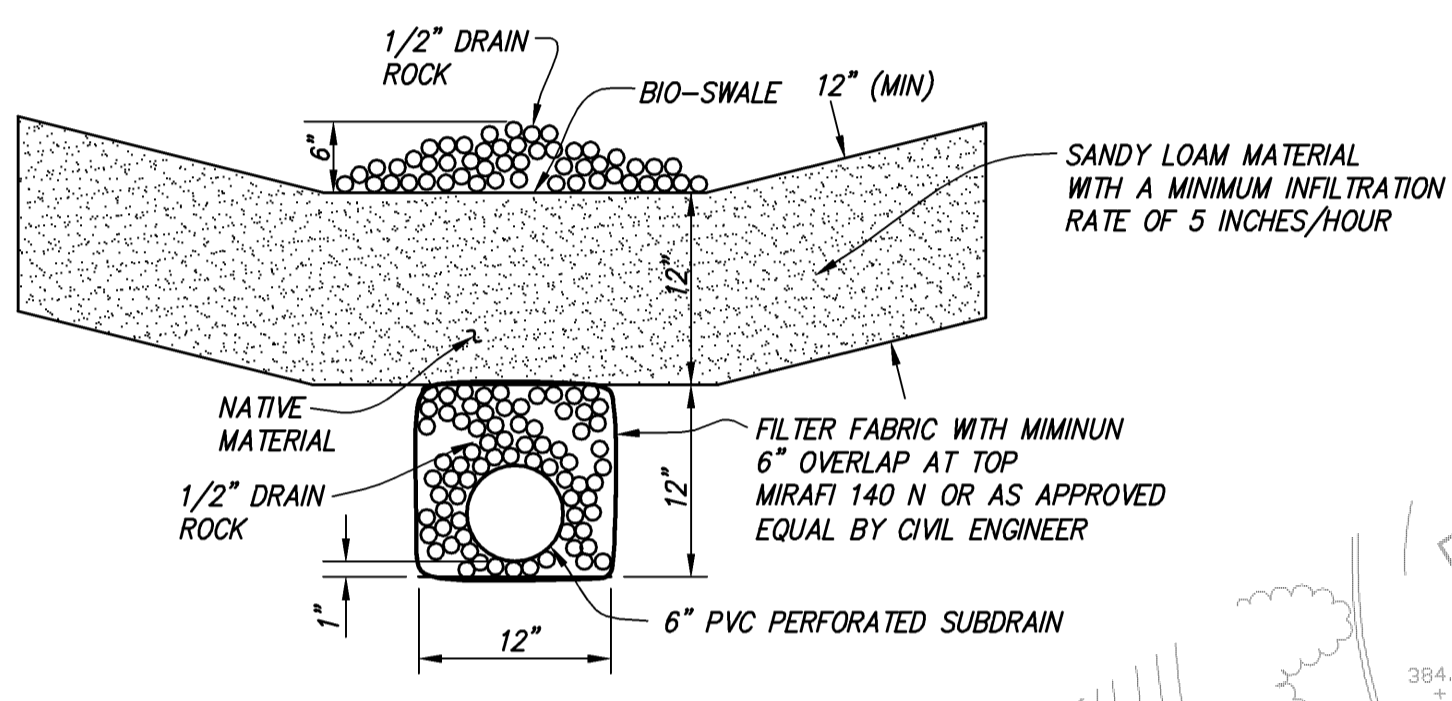
SECTION E - E
NOT TO SCALE



SECTION C - C
NOT TO SCALE



SECTION D - D
NOT TO SCALE



6\"/>

LEGEND

- STORM WATER INLET
- STORM DRAIN MANHOLE WITH INLET
- 6\"/>
- 3-FOOT WIDE VALLEY GUTTER

NOTE:
1. ALL DRAIN INLETS SHOULD BE SET A MINIMUM OF 4\"/>

ROSE GARDEN - STORM WATER CONTROL PLAN
TOWN OF DANVILLE, CONTRA COSTA COUNTY, CALIFORNIA

Ruggeri - Jensen & Associates
ENGINEERS • PLANNERS • SURVEYORS
4690 CHABOT DRIVE, SUITE 200 • PLEASANTON, CA 94588
PHONE: (925) 227-9100 • FAX: (925) 227-9300